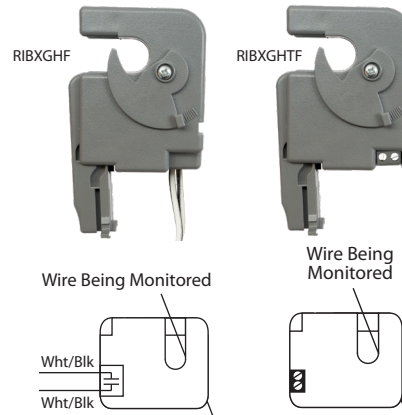
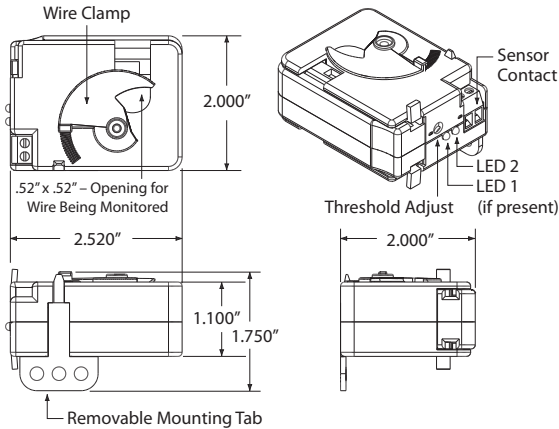


AC CURRENT SWITCHES

RIBXGH Series

Current Switches, Split Core, Fixed or Adjustable, Up to 150 Amps Sensing Range, 120 Vac Switching Voltage, Terminal Strip or Wire Lead Output



SPECIFICATIONS

Operating Temperature: -30 to 140° F
Humidity Range: 5 to 95% (noncondensing)
***Temperature Derating:** 1 Amp up to 50° C, 0.5 Amp up to 60° C
Max Sense Voltage: 600 Vac
Sensor Contact Status: Current below threshold: Open
 Current above threshold: Closed

Origin: Made of US and non-US parts
Approvals: UL Listed, UL916, C-UL, CE, RoHS
Mounting/Installation: Removable mounting tab provided. The wire clamp locks against the wire being monitored, securing the unit in place.

Notes:

- Use Sensor Contact to switch 120 Vac loads only.
- For testing purposes, Sensor Contact will measure approximately 250 Ω when closed and > 10 MΩ when open.
- The Sensor Contact is a Solid State Contact.